

# VISY-X

## VISY-View Touch



Version: 5  
Edition: 2016-10  
Art. no.: 350055



© Copyright:

Reproduction and translation is only permitted with the written consent of the FAFNIR GmbH. The FAFNIR GmbH reserves the right to carry out product alterations without prior notice.

## Table of contents

<b>1</b>	<b>Properties</b> .....	<b>1</b>
<b>2</b>	<b>Safety instructions</b> .....	<b>2</b>
<b>3</b>	<b>Design and function description</b> .....	<b>3</b>
3.1	Display.....	4
3.2	Interfaces.....	4
<b>4</b>	<b>Installation</b> .....	<b>5</b>
4.1	Wall mounting.....	5
4.2	Mounting bracket (option).....	5
4.3	Desktop bracket (option) .....	6
<b>5</b>	<b>Commissioning</b> .....	<b>7</b>
5.1	Initial start-up .....	7
5.2	Application as a tank truck display .....	9
<b>6</b>	<b>Operation</b> .....	<b>9</b>
<b>7</b>	<b>Technical data</b> .....	<b>10</b>
<b>8</b>	<b>List of figures</b> .....	<b>10</b>
<b>9</b>	<b>List of tables</b> .....	<b>10</b>
<b>10</b>	<b>Appendix</b> .....	<b>11</b>
10.1	EC Declaration of Conformity .....	11

## 1 Properties

VISY-View Touch is an optional part of the VISY-X system (volume information system).

With the VISY-X system, highly precise, continuous level measurements in up to 16 tanks are carried out directly at the petrol station. The product temperature and the water level are gauged simultaneously. As an extension, other environmental sensors can be connected.

VISY-View Touch can be used for viewing tank data as an alternative or supplement to a petrol station computer.

The display component is a TFT colour screen. All functions are accessible using the touch screen user interface.

VISY-SoftView Touch provides the capability to view current tank data, delivery data and the various alarms signalled by the VISY-Command control unit. Alarms are signalled visually by the display module and also audibly by a buzzer. As an option, a printer can be connected to the serial port.

The display module receives all its configuration data, alarms and product data from the VISY-Command control unit, which means that no special settings or configurations are needed for set-up. The control unit must have been configured using the VISY-Setup configuration program first, see:

- Technical Documentation VISY-Setup V4..., art. no. 207158

In addition, it is particularly useful to the fuel tanker driver, who will be able to read tank levels before refuelling the petrol station.

## 2 Safety instructions

The VISY-X system is used for measuring and evaluating the levels of petroleum fuels in petrol station tanks. The system must be used exclusively for this purpose. The manufacturer accepts no liability for any form of damage resulting from improper use!

The VISY-View Touch has been developed, manufactured and tested in accordance with the latest good engineering practices and generally accepted safety standards. Nevertheless, hazards may arise from its use. For this reason, the following safety information must be observed:

- Do not change or modify the system or add any equipment without the prior consent of the manufacturer.
- To connect VISY-View Touch to the power supply, exclusively the included AC/DC adapter must be used.
- Only use original spare parts. These comply with the technical requirements specified by the manufacturer.
- The installation, operation and maintenance of the VISY-View Touch must be carried out only by expert personnel.
- Operators, installers and service technicians must comply with all applicable safety regulations. This requirement shall also apply to local safety and accident prevention regulations not expressly referred to herein.
- VISY-View Touch is not suitable for outdoor installation. VISY-View Touch is only determined for using within the VISY-X system and must always be undamaged and clean.

The safety instructions in this manual are labelled as follows:



*Failure to observe these safety instructions will result in a risk of accident and a risk of damage to the VISY-X system.*



*Useful tips and information in these instructions that should be observed are in italics and identified by this symbol.*

### 3 Design and function description



- |  |                                 |
|--|---------------------------------|
| 1 Display with touch function (touch screen) | 5 AC/DC adapter port            |
| 2 Casing cover                               | 6 RS-485 VISY-Command interface |
| 3 Locking Screw                              | 7 RS-232 printer interface      |
| 4 Unlock button                              | 8 Blind plug                    |

Figure 1: VISY-View Touch front

### 3.1 Display

The display is a TFT colour screen with touch function (touch screen). The readout depends on the configuration and the number of tanks, etc. The functions of the program are executed by touching the screen.



*The touch screen must be operated only by finger or by means of a stylus designed for this purpose. The use of pointed objects (e.g. screwdrivers, pens) may cause damage to the touch screen.*

### 3.2 Interfaces

VISY-View Touch is equipped with the following interfaces (see Figure 1 and 2):

- Port for the included AC/DC adapter
- RS-485 interface for connecting to the control unit VISY-Command
- RS-232 interface (D-sub 9-pin) for connecting to a printer



*As a printer, a thermal printer with 32 columns and serial interface is provided. The printer is available as an option at the company FAFNIR. For configuration of the printer see:*

- Technical Documentation VISY-SoftView (English) – Art. no. 350026

## 4 Installation

The VISY-View Touch is suitable for wall mounting and also intended to use as a desktop unit.

### 4.1 Wall mounting

For wall mounting, open the casing cover and mark the mounting points on the intended position on the wall. Drill the holes and mount the device.



*To open the casing cover loose the locking screw by turning it counter-clockwise and press the unlock button.*

### 4.2 Mounting bracket (option)

For wall mounting there is an optional mounting bracket available. Attach the mounting bracket accordingly to the following figure.

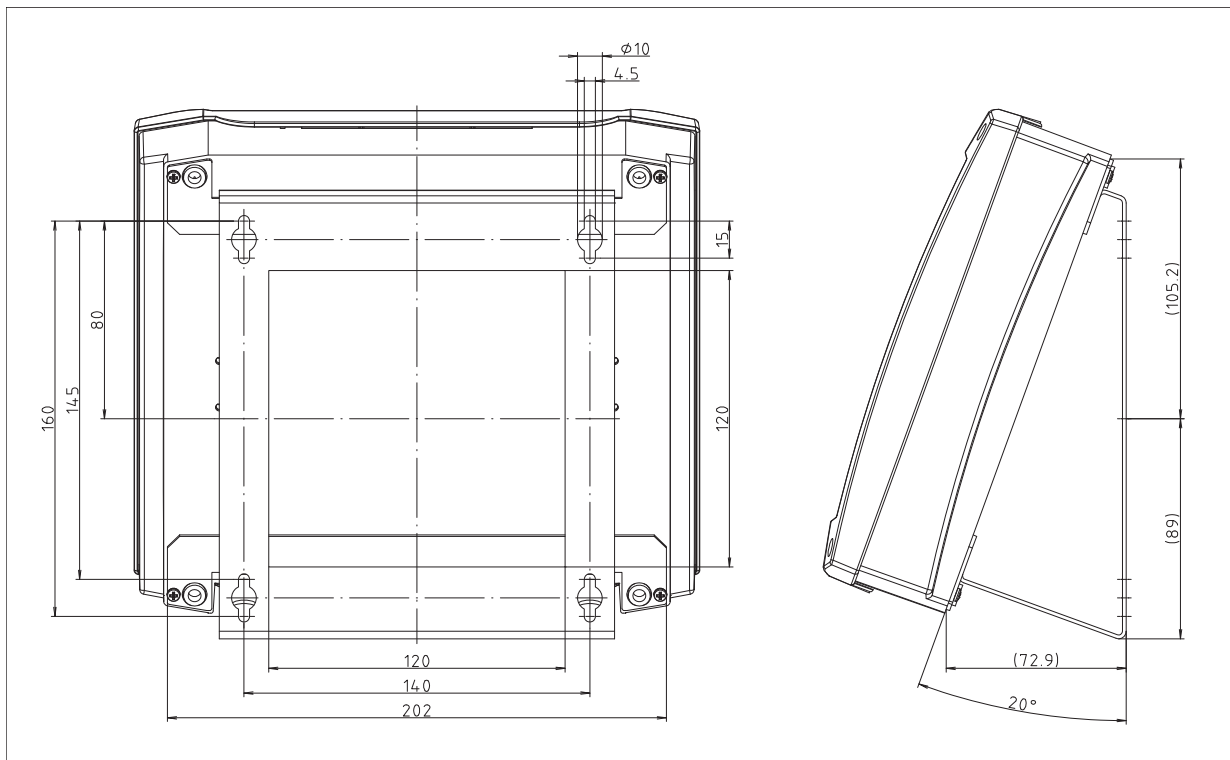


Figure 2: Mounting bracket dimensions (option)



### 4.3 Desktop bracket (option)

For use as a desktop unit, VISY-View Touch can be equipped with an optional desktop bracket.

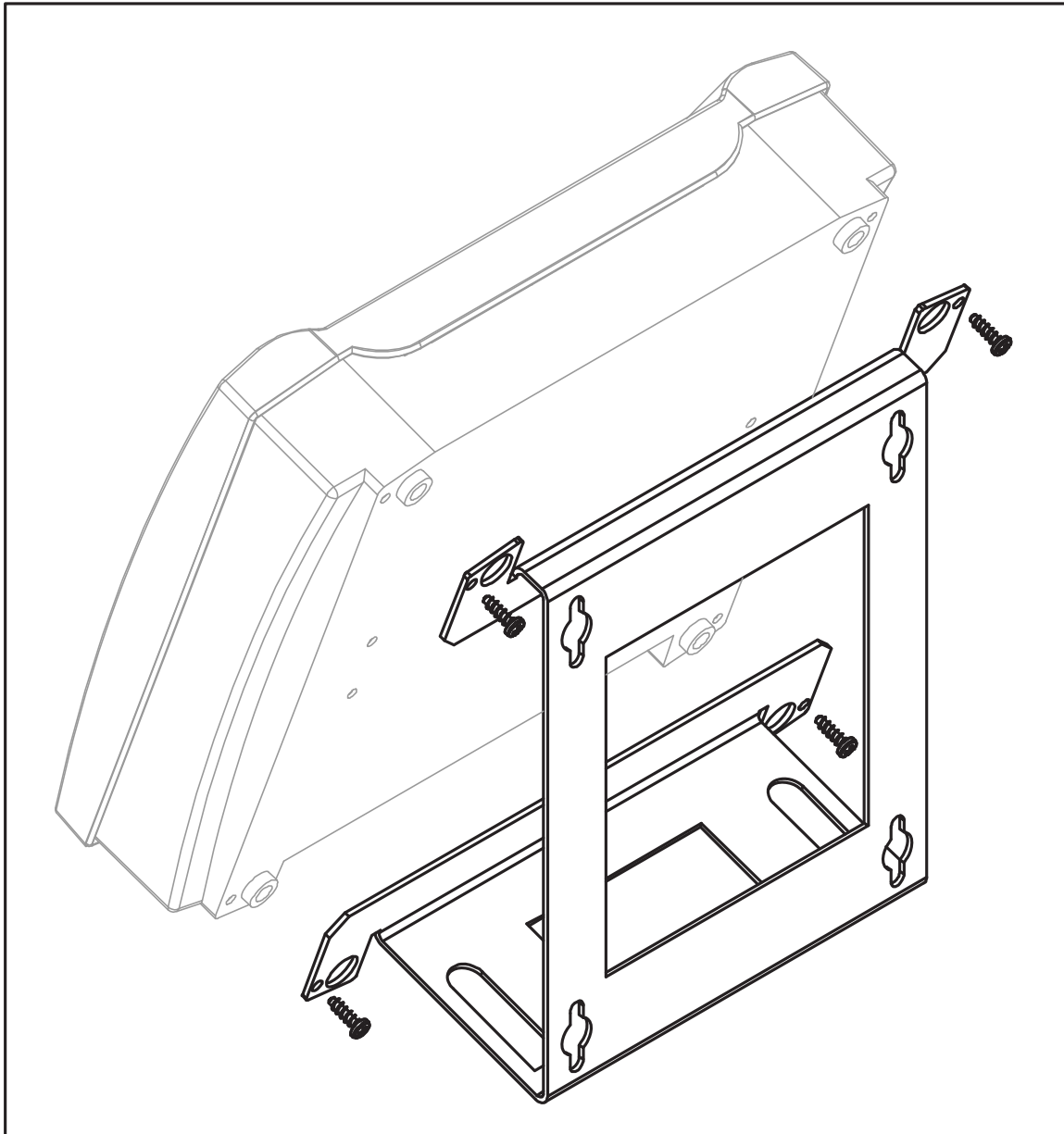


Figure 3: Desktop bracket (option)

## 5 Commissioning

### 5.1 Initial start-up

To start up the VISY-View Touch proceed as follows:

- (1) The VISY-View Touch is connected to the extension interface of the VISY-Command control unit according to the following table:

Interface ports


1	2	3	4	5	6	7	8	9
RxD	TxD	⊥	A+	B-	⊥	A+	B-	PE
RS-232			RS-485		RS-485			
Host					Extension			

Table 1: VISY-Command extension interface

Configure the VISY-Command interfaces with the VISY-Setup configuration software, see:

- Technical Documentation VISY-Setup V4... (English) – Art. no. 207158  
For use of the extension interface of the VISY-Command, the function "extension interface" must be activated.

- (2) To connect the VISY-View Touch, use the supplied 3-pin connector (see Figure 4) and the associated connector housing.

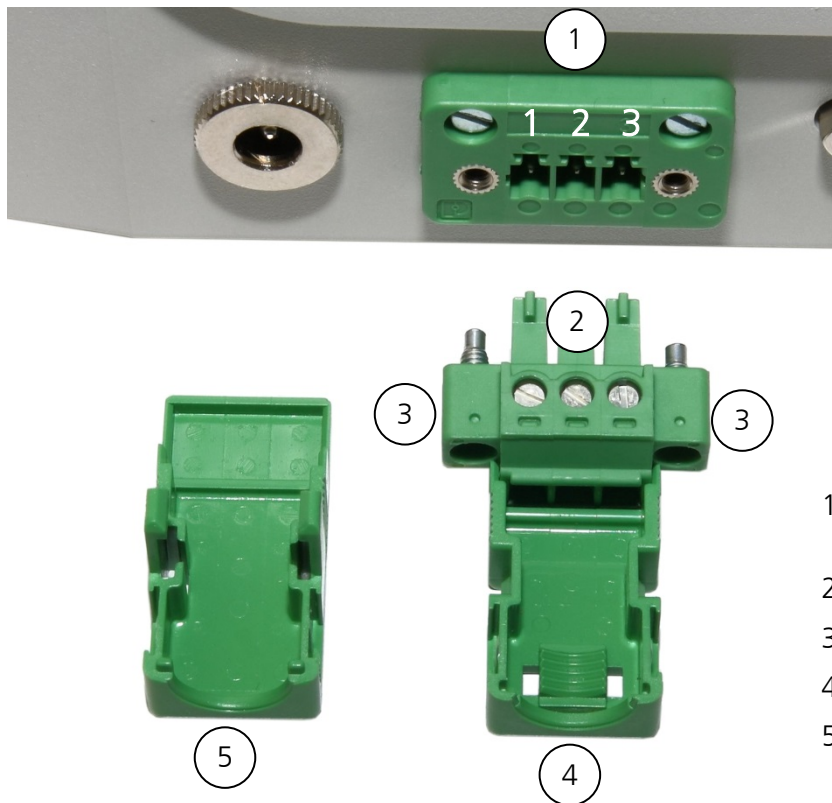
Connect the RS-485 interface of the VISY-View Touch with the extension interface of the VISY-Command according to the following table:

VISY-View Touch RS-485	VISY-Command Extension interface	Signal
1	7	A+
2	6	GND
3	8	B-

Table 2: VISY-View Touch RS-485 interface

The connector housing comprises of a base body on which the connector sits, and the cover that snaps on the base body.

The supplied cable tie serves as strain relief. It aims to secure the cable to the base body of the connector housing. Use the side screws of the connector housing to securely fix the connector to the VISY-View Touch.



- 1 RS-485 VISY-Command interface with numbering of the contacts
- 2 Connector (3 pin)
- 3 Side screws
- 4 Connector housing (base body)
- 5 Connector housing (cover)

Figure 4: Connector

- (3) Optionally connect a printer to the 9-pin D-Sub plug connector.
- (4) Connect the included AC/DC adapter to the power supply port of the VISY-View Touch (see Figure 1) and to the mains.
- ⚠ *To connect VISY-View Touch to the power supply, exclusively the included AC/DC adapter must be used.*
- (5) The VISY-View Touch now is operational.

## 5.2 Application as a tank truck display

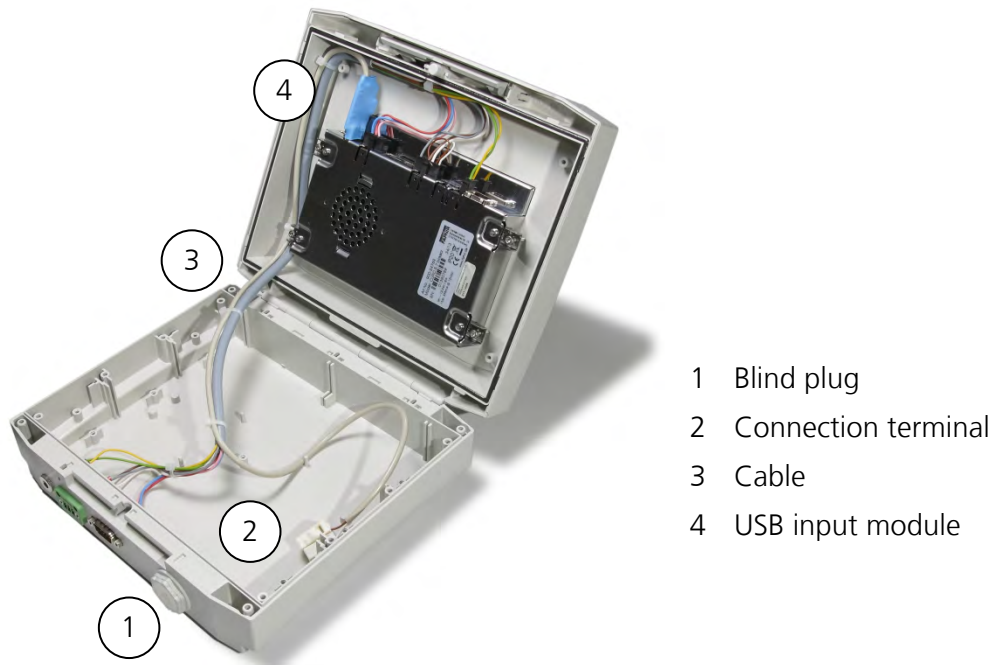


Figure 5: Application as tank truck display

For the purposes of a tank truck display the VISY-View Touch must be connected to a push-button switch.

- (1) Open the VISY-View Touch.
- (2) Pierce the blind plug with a sharp object in the size of the button cable.
- (3) Pass the button cable through the blind plug.
- (4) Attach the button cable to the connection terminal.
- (5) VISY-View Touch can now be switched on by pushing the button.

## 6 Operation

VISY-View Touch is operated via the software VISY-SoftView, see:

- Technical Documentation VISY-SoftView (English) – Art. no. 350026

## 7 Technical data

Display:	5.7" colour touch screen with embedded micro-computer and software VISY-SoftView
Alarm signalling:	Display and buzzer
Power supply:	13.2 V / 750 mA AC/DC adapter included
Ambient temperature:	0 °C ... +40 °C
RS-485 interface:	Communication with VISY-Command, not galvanically isolated, 3-pin
RS-232 interface:	Printer port, 9-pin, D-Sub male connector
Dimensions [mm]:	H 205 x W 230 x D 80

## 8 List of figures

Figure 1: VISY-View Touch front.....	3
Figure 2: Mounting bracket dimensions (option).....	5
Figure 3: Desktop bracket (option) .....	6
Figure 4: Connector .....	8
Figure 5: Application as tank truck display .....	9

## 9 List of tables

Table 1: VISY-Command extension interface .....	7
Table 2: VISY-View Touch RS-485 interface .....	7



**EU-Konformitätserklärung  
EU Declaration of Conformity  
Déclaration UE de Conformité**

**FAFNIR GmbH  
Bahrenfelder Straße 19  
22765 Hamburg / Germany**

erklärt als Hersteller in alleiniger Verantwortung, dass das Produkt  
declares as manufacturer under sole responsibility that the product  
déclare sous sa seule responsabilité en qualité de fabricant que le produit

**Anzeige  
Display  
Affichage**

**VISY-View Touch**

den Vorschriften der europäischen Richtlinien  
complies with the regulations of the European directives  
est conforme aux réglementations des directives européennes suivantes

<b>2011/65/EU</b>	<b>Beschränkung der Verwendung bestimmter gefährlicher Stoffe in Elektro- und Elektronikgeräten</b>	<b>RoHS</b>
<b>2011/65/EU</b>	<b>Restriction of the use of certain hazardous substances in electrical and electronic equipment</b>	<b>RoHS</b>
<b>2011/65/UE</b>	<b>Limitation de l'utilisation de certaines substances dangereuses dans les équipements électriques et électroniques</b>	<b>RoHS</b>
<b>2014/30/EU</b>	<b>Elektromagnetische Verträglichkeit</b>	<b>EMV</b>
<b>2014/30/EU</b>	<b>Electromagnetic compatibility</b>	<b>EMC</b>
<b>2014/30/UE</b>	<b>Compatibilité électromagnétique</b>	<b>CEM</b>

durch die Anwendung folgender harmonisierter Normen entspricht  
by applying the harmonised standards  
par l'application des normes

**RoHS / RoHS / RoHS  
EMV / EMC / CEM**

**EN 50581:2012  
EN 55022:2010  
EN 55024:2010  
EN 61000-3-2:2006 + A1:2009 + A2:2009  
EN 61000-3-3:2008  
EN 61000-6-2:2005**

Das Produkt ist bestimmt als Elektro- und Elektronikgerät der RoHS-  
The product is determined as electrical and electronic equipment of RoHS  
Le produit est déterminés comme des équipements électriques et électroniques de RoHS

**Kategorie / Category / Catégorie**

**Überwachungs- und Kontrollinstrumenten in der Industrie /  
Industrial Monitoring and Control Instruments /  
Instruments de contrôle et de surveillance industriels**

Das Produkt entspricht den EMV-Anforderungen  
The product complies with the EMC requirements  
Le produit est conforme aux exigences CEM

**Störaussendung / Emission / Émission  
Störfestigkeit / Immunity / D'immunité**

**Klasse B / Class B / Classe B  
Industrielle elektromagnetische Umgebung /  
Industrial electromagnetic environment /  
Environnement électromagnétique industriel**

Hamburg, 20.04.2016  
Ort, Datum / Place, Date / Lieu, Date

Geschäftsführer / Managing Director / Gérant: René Albrecht





FAFNIR GmbH  
Bahrenfelder Str. 19  
22765 Hamburg  
Germany  
Tel.: +49 / 40 / 39 82 07-0  
Fax: +49 / 40 / 390 63 39  
E-mail: [info@fafnir.com](mailto:info@fafnir.com)  
Web: [www.fafnir.com](http://www.fafnir.com)

---